



Product details

09 06 248 3201

Backplane connector

Type	Type F
Standard/Inverse	Standard
Contact gender	Female contacts
Size	Whole size
Number of contacts	48 poles
Contact arrangement	Rows z, b and d
Termination	Crimp contacts
Performance Class	none
Contacts	Order contacts separately
Height	High profile
Coding facility	without coding facility
Current	6 A max.
Clearance/Creepage	1,6 / 3,0 mm min.
RoHS compliant	Yes

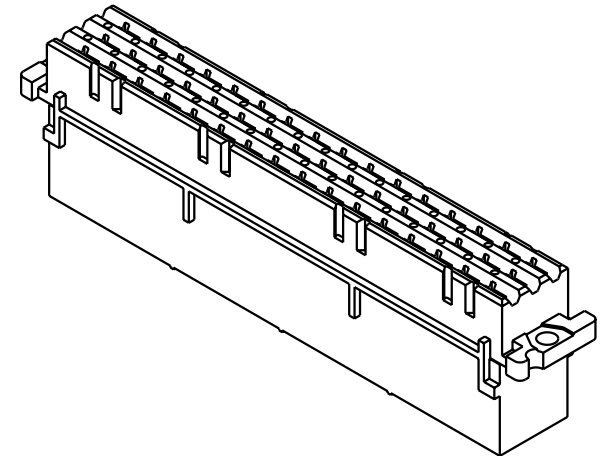
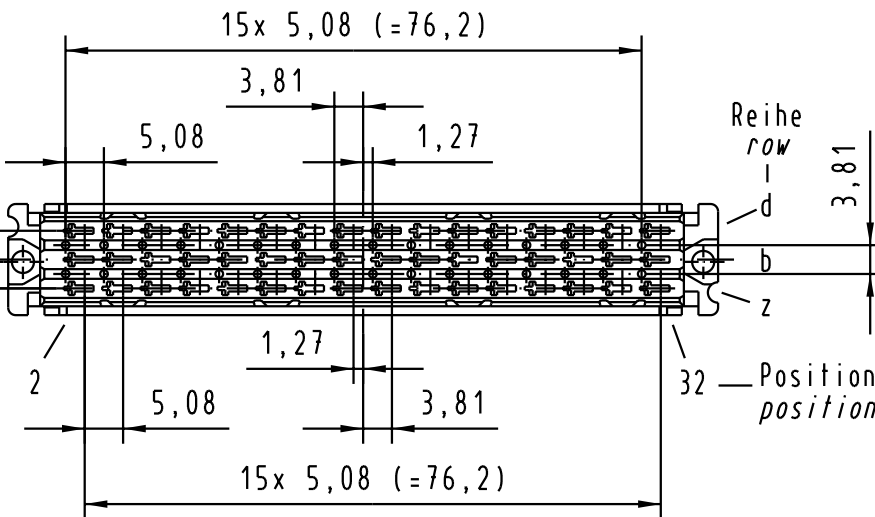
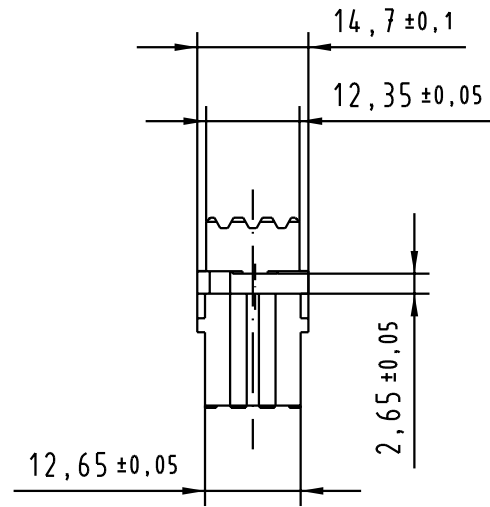
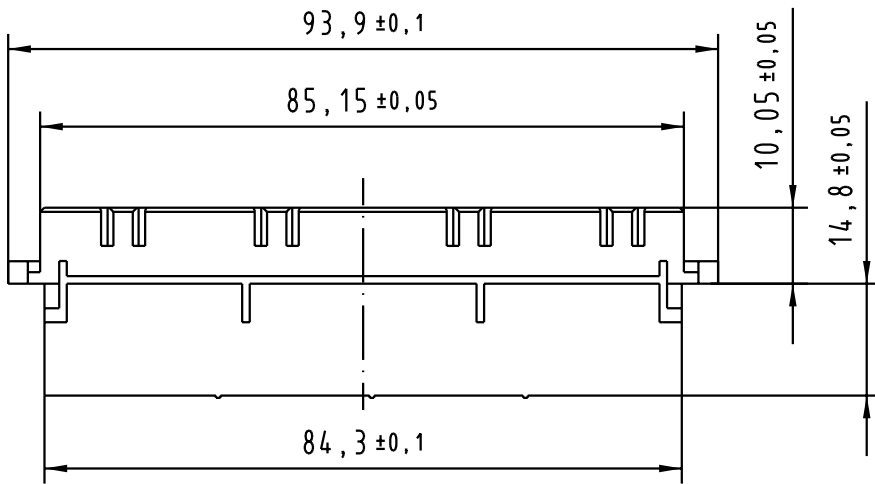
5

4

3

2

1



2 x 3,81 (=7,62)

3,81

0,3

2

5,08

1,27

3,81

32

Position position



All Dimensions in mm
Original Size DIN A 4

Techn. Character.

IEC 60603-2

Nicht tolerierte Maßel Free size tolerances

IEC 60603-2

	Dat.	Name	Maßstab/Scale
Detail.	24.08.90	Quellh.	
Insp.			
Stand.			

31296	21.01.03	Hage.
15177	23.06.93	La.
11165	15.01.91	Quellh.
11161	14.01.91	Quellh.
Mod.	Dat.	Name

HARTING Electronics GmbH & Co. KG
D-32339 ESPELKAMP



Bauform F Federträger crimp
type F female connector crimp

TB 09 06 248 3201

Blatt/ page

Sub.

D

C

B

A